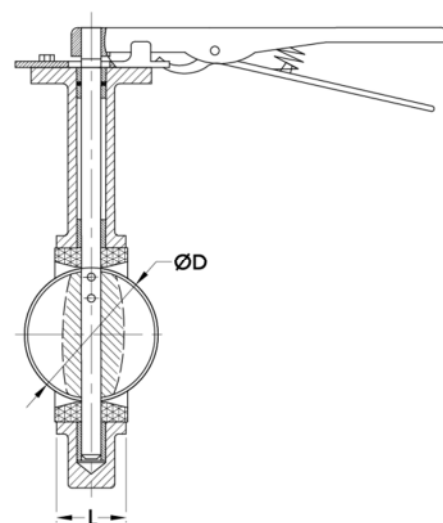
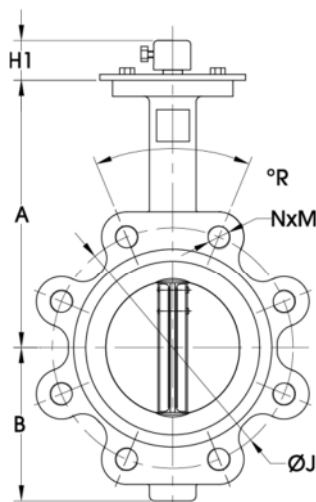


# DUCTILE IRON BUTTERFLY VALVE LUG TYPE CONCENTRIC RESILIENT SEATED



## LEVER CONNECTION

FM701XXX-01

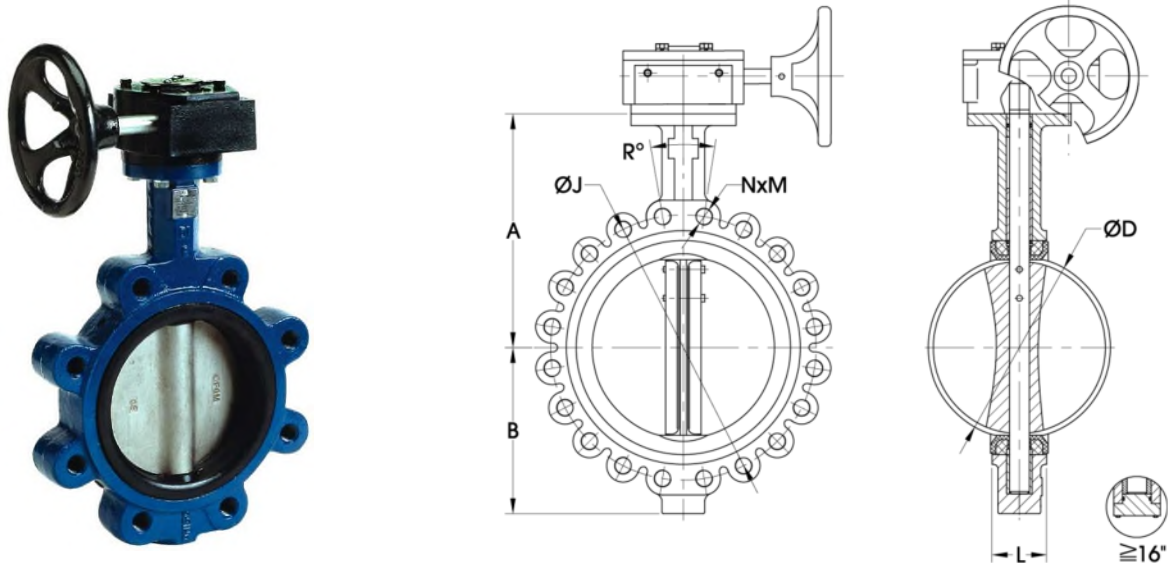
## MODEL FM-701 L

### DIMENSION & WEIGHT (UNIT:MM)

SIZE	A	B	L	ØD	H1	WT (Kg)	CL 150			PN10			PN16			
							ØJ	NxM	R°	ØJ	NxM	R°	ØJ	NxM	R°	
DN50	2"	140	80	43	52.6	32	4.2	120.7	4x5/8"-11 UNC-2B	90	125	4Xm16	90	125	4Xm16	90
DN65	2-1/2"	150	89	46	64.3	32	4.7	139.7	4x5/8"-11 UNC-2B	90	145	*4Xm16	90	145	*4Xm16	90
DN80	3"	158	95	46	78.8	32	5.2	152.4	4x5/8"-11 UNC-2B	90	160	8Xm16	45	160	8Xm16	45
DN100	4"	176	114	52	104	32	9	190.5	8x5/8"-11 UNC-2B	45	180	8Xm16	45	180	8Xm16	45
DN125	5"	190	127	56	123.3	32	10.9	215.9	8x3/4"-10 UNC-2B	45	210	8Xm16	45	210	8Xm16	45
DN150	6"	212	139	56	155.7	32	12.3	241.3	8x3/4"-10 UNC-2B	45	240	8Xm20	45	240	8Xm20	45
DN200	8"	235	175	60	202.4	45	19	298.5	8x3/4"-10 UNC-2B	45	295	8Xm20	45	295	12Xm20	30
DN250	10"	265	203	68	250.4	45	27	362.0	12x7/8"-9 UNC-2B	30	350	12Xm20	30	355	12Xm24	30
DN300	12"	305	242	78	310.5	45	42	431.8	12x7/8"-9 UNC-2B	30	400	12Xm20	30	410	12Xm24	30

[Disclaimer] The information, specifications and technical data contained in this catalogue are subjected to change without prior notice. User should verify all technical data and specifications prior to use. The manufacturer does not warrant that the information in this catalogue is current or correct and assumes no responsibility for the use or misuse of any such material and information by the user.

# DUCTILE IRON BUTTERFLY VALVE LUG TYPE CONCENTRIC RESILIENT SEATED



**GEAR BOX CONNECTION**

FM701XXX-01

## MODEL FM-701 G

**DIMENSION & WEIGHT (UNIT:MM)**

SIZE	A	B	L	ØD	WT (Kg)	CL 150			PN10			PN16			
						ØJ	NxØP	R°	ØJ	NxØP	R°	ØJ	NxØP	R°	
DN150	6"	212	139	56	155.7	15.2	241.3	8X3/4"-10 UNC-2B	45	240	8xM20	45	240	8xM20	45
DN200	8"	235	175	60	202.4	26	298.5	8X3/4"-10 UNC-2B	45	295	8xM20	45	295	12xM20	30
DN250	10"	265	203	68	250.4	34	362.0	12X7/8"-9 UNC-2B	30	350	12xM20	30	355	12xM24	30
DN300	12"	305	242	78	301.5	52	431.8	12X7/8"-9 UNC-2B	30	400	12xM20	30	410	12xM24	30
DN350	14"	363	267	78	333.5	60	476.3	12X1"-8 UNC-2B	30	460	16xM20	22.5	470	16xM24	22.5
DN400	16"	400	309	102	389.6	106	539.8	16X1"-8 UNC-2B	22.5	515	16xM24	22.5	525	16xM27	22.5
DN450	18"	422	328	114	440.5	135	577.9	16X1-1/8"-7 UNC-2B	22.5	565	20xM24	18	585	20xM27	18
DN500	20"	480	361	127	491.6	221	635.0	20X1-1/8"-7 UNC-2B	18	620	20xM24	18	650	20xM30	18
DN600	24"	562	459	154	592.5	285	749.3	20X1-1/4"-7 UNC-2B	18	725	20xM27	18	770	20xM33	18

[Disclaimer] The information, specifications and technical data contained in this catalogue are subjected to change without prior notice. User should verify all technical data and specifications prior to use. The manufacturer does not warrant that the information in this catalogue is current or correct and assumes no responsibility for the use or misuse of any such material and information by the user.