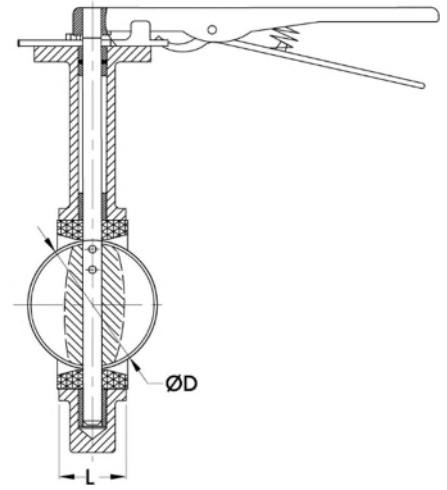
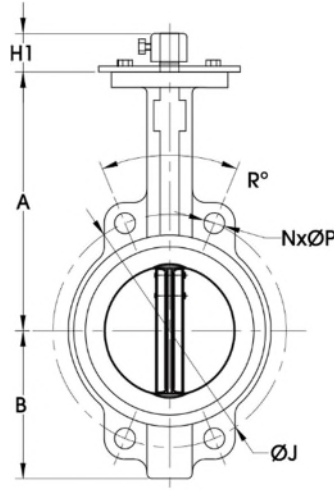


DUCTILE IRON BUTTERFLY VALVE WAFER TYPE CONCENTRIC RESILIENT SEATED



LEVER CONNECTION

FM700XXX-01

MODEL FM-700 L

DIMENSION & WEIGHT (UNIT:MM)

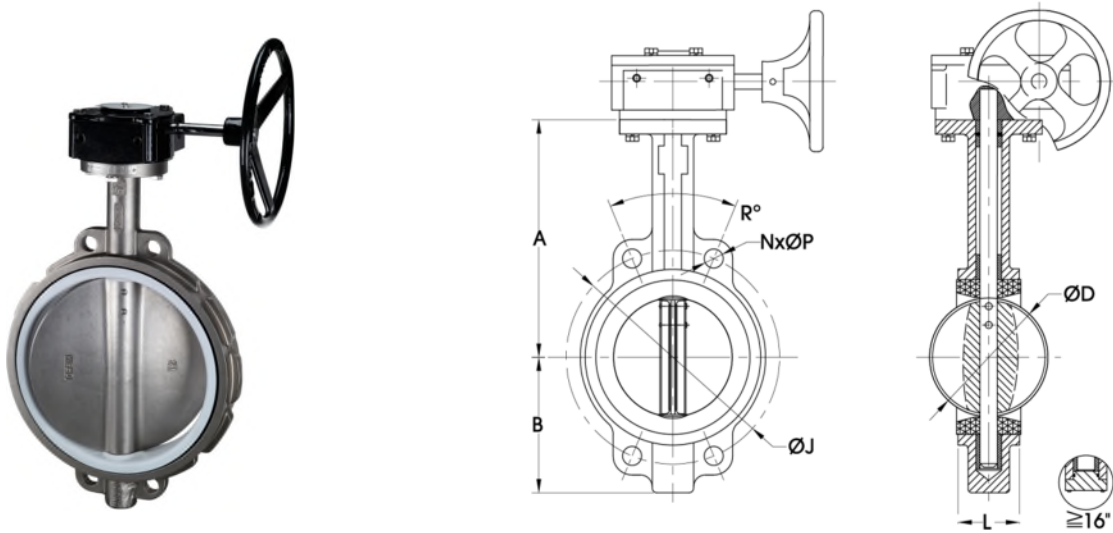
SIZE	A	B	L	ØD	H1	WT (Kg)	CL 150			PN10			PN16		
							ØJ	NxØP	R°	ØJ	NxØP	R°	ØJ	NxØP	R°
DN50	2"	140	80	43	52.6	3.2	120.7	4XØ20	90	125	4XØ18	90	125	4XØ18	90
DN65	2-1/2"	150	89	46	64.3	3.6	139.7	4XØ20	90	145	*4XØ18	90	145	*4XØ18	90
DN80	3"	158	95	46	78.8	3.8	152.4	4XØ20	90	160	4XØ18	45	160	4XØ18	45
DN100	4"	176	114	52	104	5.3	190.5	4XØ20	45	180	4XØ18	45	180	4XØ18	45
DN125	5"	190	127	56	123.3	6.6	215.9	4XØ23	45	210	4XØ18	45	210	4XØ18	45
DN150	6"	212	139	56	155.7	8.2	241.3	4XØ23	45	240	4XØ22	45	240	4XØ22	45
DN200	8"	235	175	60	202.4	14	298.5	4XØ23	45	295	4XØ23	45	295	4XØ22	30
DN250	10"	265	203	68	250.4	21	362.0	4XØ26	30	350	4XØ23	30	355	4XØ26	30
DN300	12"	305	242	78	301.5	32	431.8	4XØ26	30	400	4XØ23	30	410	4XØ26	30

CONNECTION DIMENSION (UNIT:MM)

DN	OUTER DIAMETER OF FLANGE (ØG)				PITCH CENTER DIAMETER, PCD (ØJ)				NUMBER & DIAMETER OF BOLT HOLES (NxØP)			
	150LB	PN10	PN16	JIS 10K	150LB	PN10	PN16	JIS 10K	150LB	PN10	PN16	JIS 10K
50	150	165	165	155	120.7	125	125	120	4-19	4-18	4-18	4-19
65	180	185	185	175	139.7	145	145	140	4-19	4-18	4-18	4-19
80	190	200	200	185	152.4	160	160	150	4-19	8-18	8-18	8-19
100	230	220	220	210	190.5	180	180	175	8-19	8-18	8-18	8-19
125	255	250	250	250	215.9	210	210	210	8-22	8-18	8-18	8-23
150	280	285	285	280	241.3	240	240	240	8-22	8-23	8-23	8-23
200	345	340	340	330	298.5	295	295	290	8-22	8-23	12-23	12-23
250	405	405	405	400	362	350	355	355	12-26	12-23	12-26	12-25
300	485	460	460	445	431.8	400	410	400	12-26	12-23	12-26	16-25

[Disclaimer] The information, specifications and technical data contained in this catalogue are subjected to change without prior notice. User should verify all technical data and specifications prior to use. The manufacturer does not warrant that the information in this catalogue is current or correct and assumes no responsibility for the use or misuse of any such material and information by the user.

DUCTILE IRON BUTTERFLY VALVE WAFER TYPE CONCENTRIC RESILIENT SEATED



GEAR BOX CONNECTION

FM700XXX-01

MODEL FM-700 G

DIMENSION & WEIGHT (UNIT:MM)

SIZE	A	B	L	ØD	WT (Kg)	CL 150			PN10			PN16			
						ØJ	NxØP	R°	ØJ	NxØP	R°	ØJ	NxØP	R°	
DN150	6"	212	139	56	155.7	11.1	241.3	4XØ23	45	240	4XØ22	45	240	4XØ22	45
DN200	8"	235	175	60	202.4	21	298.5	4XØ23	45	295	4XØ23	45	295	4XØ22	30
DN250	10"	265	203	68	250.4	28	362.0	4XØ26	30	355	4XØ23	30	355	4XØ26	30
DN300	12"	305	242	78	301.5	42	431.8	4XØ26	30	410	4XØ23	30	410	4XØ26	30
DN350	14"	363	267	78	333.5	50	476.3	4XØ29	30	470	4XØ23	22.5	470	4XØ26	22.5
DN400	16"	400	309	102	389.6	96	539.8	4XØ29	22.5	525	4XØ26	22.5	525	4XØ30	22.5
DN450	18"	422	328	114	440.5	114	577.9	4XØ32	22.5	585	4XØ26	18	585	4XØ30	18
DN500	20"	480	361	127	491.6	163	635.0	4XØ32	18	650	4XØ26	18	650	4XØ33	18
DN600	24"	562	459	154	592.5	215	749.3	4XØ35	18	770	4XØ30	18	770	4XØ36	18

CONNECTION DIMENSION (UNIT:MM)

DN	OUTER DIAMETER OF FLANGE (ØG)				PITCH CENTER DIAMETER, PCD (ØJ)				NUMBER & DIAMETER OF BOLT HOLES (NxØP)			
	150LB	PN10	PN16	JIS 10K	150LB	PN10	PN16	JIS 10K	150LB	PN10	PN16	JIS 10K
150	280	285	285	280	241.3	240	240	240	8-22	8-23	8-23	8-23
200	345	340	340	330	298.5	295	295	290	8-22	8-23	12-23	12-23
250	405	405	405	400	362	350	355	355	12-26	12-23	12-26	12-25
300	485	460	460	445	431.8	400	410	400	12-26	12-23	12-26	16-25
350	535	520	520	490	476.3	460	470	445	12-29	16-23	16-26	16-25
400	595	580	580	560	539.8	515	525	510	16-29	16-26	16-30	16-27
450	635	640	640	620	577.9	565	585	565	16-32	20-26	20-30	20-27
500	700	715	715	675	635	620	650	620	20-32	20-26	20-33	20-27
600	815	840	840	745	749.3	725	770	730	20-35	20-30	20-36	24-33

[Disclaimer] The information, specifications and technical data contained in this catalogue are subjected to change without prior notice. User should verify all technical data and specifications prior to use. The manufacturer does not warrant that the information in this catalogue is current or correct and assumes no responsibility for the use or misuse of any such material and information by the user.