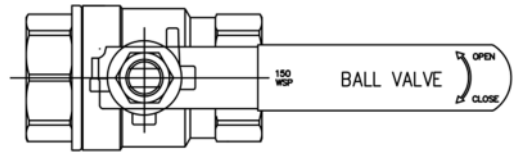


FULL PORT BALL VALVES



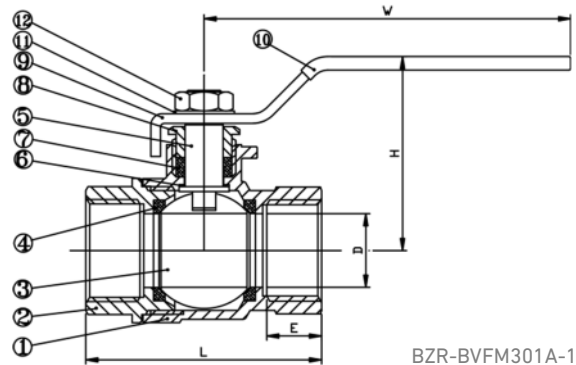
600 WOG

1/4" - 3"

Available in

*BSPT(B21); BSPF(DIN-259) & NPT (ANSI B2.1)

*Standard, others on request.



BZR-BVFM301A-19-R1

TYPE FM301-A

DIMENSIONS

SIZE		L	D	H	W	E
1/4"	INCH	1.7716	0.378	1.4173	3.3464	0.4724
	MM	45	9.6	36	85	12
3/8"	INCH	1.811	0.378	1.4173	3.3464	0.4724
	MM	46	9.6	36	85	12
1/2"	INCH	1.9685	0.5	1.4961	3.3464	0.5118
	MM	50	12.7	38	85	13
3/4"	INCH	2.3622	0.748	1.9685	4.3307	0.5512
	MM	60	19	50	110	14
1"	INCH	2.8346	0.9842	2.1653	4.3307	0.6693
	MM	72	25	55	110	17
1-1/4"	INCH	3.3071	1.2598	2.6772	5.1181	0.7087
	MM	84	32	68	130	18
1-1/2"	INCH	3.6614	1.5354	2.6772	5.1181	0.748
	MM	93	39	68	130	19
2"	INCH	4.3307	1.9685	3.189	6.2992	0.8661
	MM	110	50	81	160	22
2-1/2"	INCH	6.1024	2.5	4.1338	7.0866	1.1417
	MM	155	63.5	105	180	29
3"	INCH	7.0472	2.9921	4.9606	7.0866	1.2598
	MM	179	76	126	180	32

MATERIAL LIST

NO	PARTS	BRONZE	LEAD FREE
1	BODY	ASTM B584 C84400	ASTM C87850 / C89833
2	END PLUG	ASTM B584 C84400	ASTM C87850 / C89833
3	BALL DISC	ASTM B16 C36000 / B124 C37700	C6802
4	BALL DISC PACKING	TEFLON PTFE	TEFLON PTFE
5	STEM	ASTM B16 C36000	ASTM C690300
6	STEM SEAT	TEFLON PTFE	TEFLON PTFE
7	STEM PACKING	TEFLON PTFE	TEFLON PTFE
8	STEM GLAND SCREW	ASTM B16 C36000	ASTM C69300
9	HANDLE	STEEL - ZINE PLATED	STEEL - ZINE PLATED
10	HANDLE SLEEVE	VINYL GRIP	VINYL GRIP
11	SPRING WASHER	STEEL - ZINE PLATED	STEEL - ZINE PLATED

[Disclaimer] The information, specifications and technical data contained in this catalogue are subjected to change without prior notice. User should verify all technical data and specifications prior to use. The manufacturer does not warrant that the information in this catalogue is current or correct and assumes no responsibility for the use or misuse of any such material and information by the user.