



Fig. 6230 RESILIENT SEATED GATE VALVE, OS&Y GROOVED ENDS, 300PSI

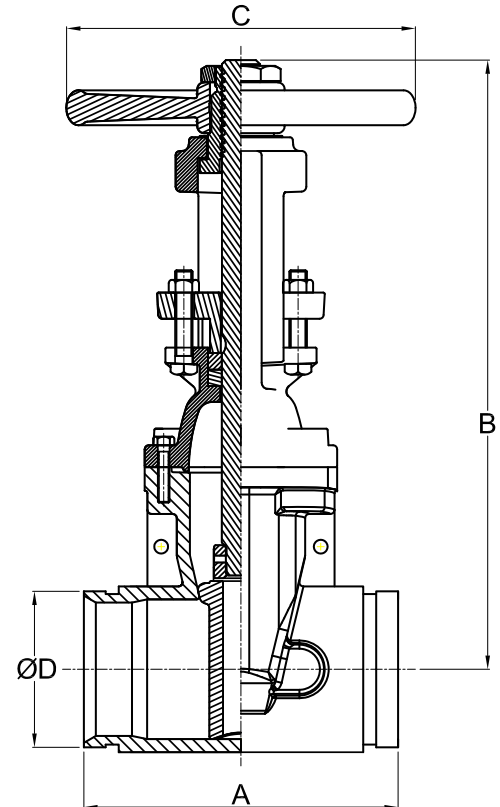
Features & Benefits

- Fire Protection Valve. UL listed. FM approved.
- Valves comply with AWWA C515.
- Working pressure 300PSI. Cold water pressure (Max. temp 63° C).
- Grooves conform to ANSI / AWWA C606 for steel pipe.
- Application: Fire protection / Air condition / Plumbing.
- Epoxy coated interior and exterior to AWWA C550.



Material List

Part Name	Material	ASTM SPEC.
Body	Ductile Iron	A536 65-45-12
Wedge	Ductile Iron coated with EPDM	
Wedge Nut	Stainless Steel	AISI 201
Bonnet	Ductile Iron	A536 65-45-12
Packing	Graphite Packing	
Bonnet Bolt	Stainless Steel	AISI 304
Gland Flange	Ductile Iron	A536 65-45-12
Square Head Bolt	Stainless Steel	AISI 304
Stem	Stainless Steel	AISI 304
	Brass	ASTM B16
Yoke Sleeve	Cast Bronze	ASTM B62
Hand Wheel	Cast Iron	ASTM A126-B
Wheel Nut	Ductile Iron	A536 65-45-12
Rubber Gasket	EPDM	Commercial
Hexagon Nut	Stainless Steel	AISI 304



Dimensions (mm / Inch)

Valve Size	65mm / 2-1/2"		80mm / 3"		100mm / 4"		150mm / 6"		200mm / 8"		250mm / 10"		300mm / 12"	
	mm	Inch	mm	Inch	mm	Inch	mm	Inch	mm	Inch	mm	Inch	mm	Inch
A	190.5	7-1/2	203.2	8	228.6	9	266.7	10-1/2	292.1	11-1/2	330.2	13	355.6	14
B(Open)	395	15-1/2	496	19-1/2	553	21-3/4	750	29-1/2	946	37-1/4	1118	44	1327	52-1/4
B(Close)	330	13	406	16	448	17-3/4	590	24-1/4	736	29	857	33-3/4	1016	40
C	178	7	203	8	254	10	304.8	12	355.6	14	406.4	16	457.2	18
D	73	2-7/8	88.9	3-1/2	114.3	4-1/2	165.1 168.3	6-1/2 6-5/8	219.1	8-5/8	273	10-3/4	323.9	12-3/4

Note: Design and materials are subject to change without notice.
2014-03-01.