

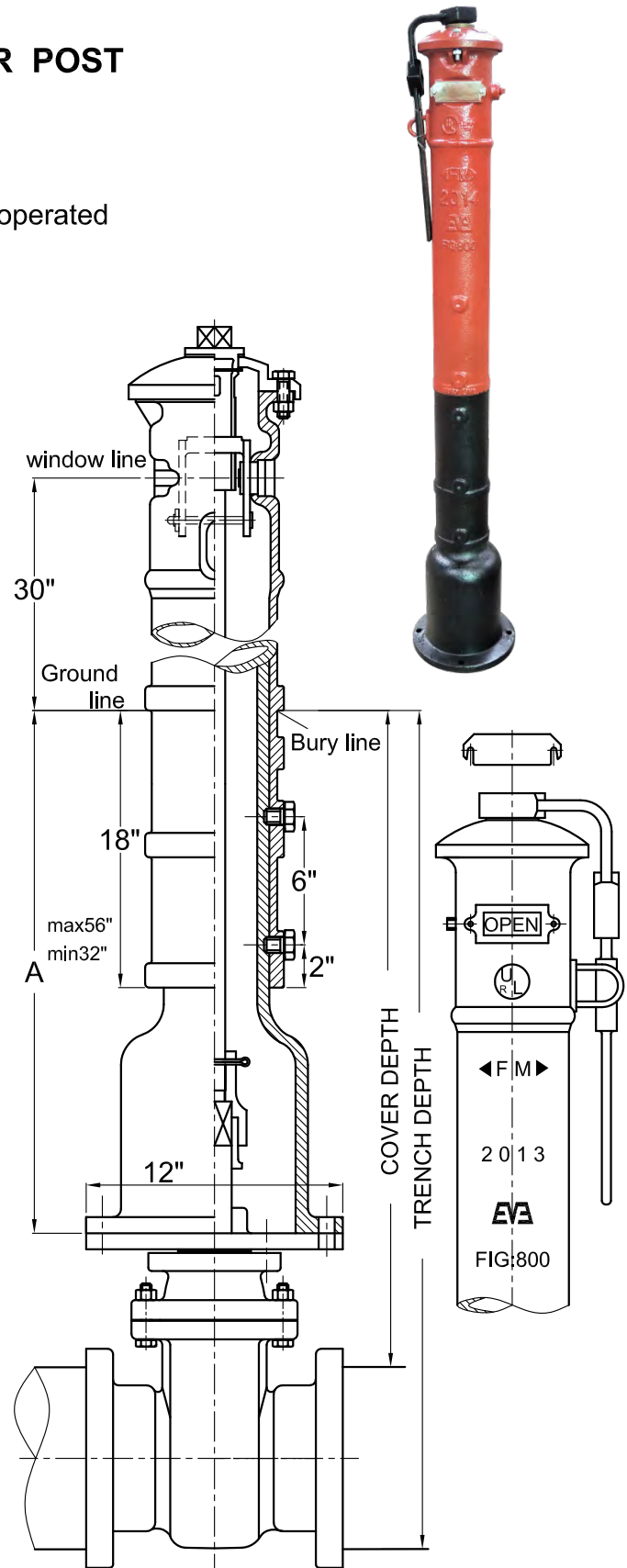
Fig. 800
ADJUSTABLE TYPE VERTICAL INDICATOR POST

Features & Benefits

- UL listed. FM approved.
- Vertical type enables underground fire line valve to be operated at ground level with operating wrench.

Material List

Part Name	Material	ASTM SPEC.
Body	Cast Iron	ASTM A126-B
Extension Sleeve	Cast Iron	ASTM A126-B
Socket	Cast Iron	ASTM A126-B
Cotter Pin	Stainless Steel	AISI 304
Hex.Head Bolt	Steel	ASTM A307-A
Extension Rod	Mild Steel	A105-80
Hexagon Nut	Steel	ASTM A563-A
Target Frame	Cast Bronze	ASTM B62
Round Head Bolt	Steel	ASTM A307-A
Window Glass	Plexiglass	
Operating Stem	Cast Bronze	ASTM B62
Retaining Ring	Steel	SAE 1065-1090
Plug	Mild Steel	A105-80
Cap	Cast Iron	ASTM A126-B
Sign Shield	SPC	
Operating-Wrench	Ductile Iron	A536 65-45-12
Sign Plate "OPEN"	Aluminmu	
Sign Plate "SHUT"	Aluminmu	
Window Frame	Steel	Commercial



Dimensions (Inch)

Extension Sleeve Length	Extension Rod Length	TRENCH DEPTH				WGT. Lbs.
		4"valve	6"valve	8"valve	10"valve	
A Post 3'	6'	3'-8" to 5'-8"	4'-1" to 6'-1"	4'-6" to 6'-6"	5' to 7'	252
Turns to Open		9½	12½	18	22½	
Extension Sleeve Length	Extension Rod Length	TRENCH DEPTH				WGT. Lbs.
		12"valve				
A Post 3'	6'	5'-5" to 7'-5"				252
Turns to Open		25				

C-012

Revision: 9.08.2015